

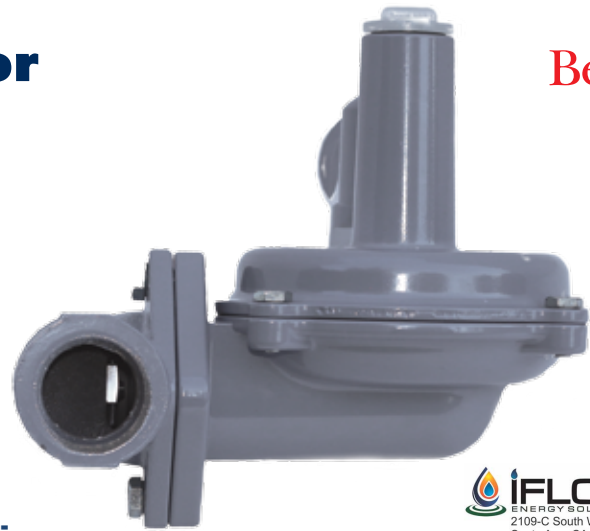
P140 Pressure Regulator

- Versatile
- Control Accuracy
- Compact Design

The Type P140 pressure regulator is ideal for natural gas, air, propane and general purpose gas pressure regulation. Uses include commercial, residential and light industrial for burners and unit heaters. Available with or without internal relief.

Applications

Applicable to a wide range of gaseous fluids, including air, natural gas and propane. Can be used as a LP regulator.



iFLOW
ENERGY SOLUTIONS
2109-C South Wright St.
Santa Ana, CA 92705
T: 1-888-651-1130 F: 1-888-250-8281
www.iflowinc.com

Materials of Construction

| | P140 |
|--------------------|-------------------|
| Body, Bonnet | Iron, Aluminum |
| Diaphragm | Nitrile |
| Diaphragm Assembly | Nitrile |
| Gaskets | Nitrile |
| Vent screen | Stainless Steel |
| Spring | Zinc-Plated Steel |
| Diaphragm Piston | Zinc-Plated Steel |

P140 Part Matrix

| P140 | ↑ | ↑↑ | ↑↑↑ | ↑↑↑↑ | ↑ | ↑ | ↑ | ↑ | Version |
|----------|---|------------|-----|------|---|---|---|---|----------------------------|
| R | | | | | | | | | Relieving |
| 0 | | | | | | | | | Non-Relieving |
| | | | | | | | | | Port Size (Inlet X Outlet) |
| | | 06 | | | | | | | 3/4" NPT |
| | | 07 | | | | | | | 3/4" x 1" NPT |
| | | 08 | | | | | | | 1" NPT |
| | | 12 | | | | | | | 1-1/4" NPT |
| | | | | | | | | | Body Construction |
| | | 0 | | | | | | | Straight |
| | | 1 | | | | | | | 90 Degree Angle |
| | | | | | | | | | Spring Range |
| | | | | | | | | | WC mBAR |
| | | 007 | | | | | | | 5" - 7" 12 - 17 |
| | | 008 | | | | | | | 6" - 8" 15 - 20 |
| | | 014 | | | | | | | 8" - 14" 20 - 35 |
| | | 028 | | | | | | | 12" - 28" 30 - 70 |
| | | | | | | | | | PSIG mBAR |
| | | 002 | | | | | | | 1 - 2 69 - 137 |
| | | 004 | | | | | | | 2 - 4 137 - 276 |
| | | 005 | | | | | | | 4 - 5 276 - 345 |
| | | | | | | | | | Relief Spring |
| | | 0 | | | | | | | Non Relieving |
| | | 5 | | | | | | | 5" WC Above Set |
| | | 6 | | | | | | | 6" WC Above Set |
| | | 7 | | | | | | | 7" WC Above Set |
| | | 9 | | | | | | | 9" WC Above Set (Standard) |
| | | | | | | | | | Orifice |
| | | 2 | | | | | | | 1/8" |
| | | 3 | | | | | | | 3/16" |
| | | 4 | | | | | | | 1/4" |
| | | 5 | | | | | | | 5/16" |
| | | 6 | | | | | | | 3/8" |
| | | 8 | | | | | | | 1/2" |
| | | | | | | | | | Port Orientation |
| | | 1 | | | | | | | Up |
| | | 2 | | | | | | | Down |
| | | 3 | | | | | | | Right (Standard) |
| | | 4 | | | | | | | Left |
| | | | | | | | | | Bonnet Orientation |
| | | C | | | | | | | 12 O'Clock |
| | | D | | | | | | | 3 O'Clock |
| | | E | | | | | | | 6 O'Clock |
| | | F | | | | | | | 9 O'Clock (Standard) |

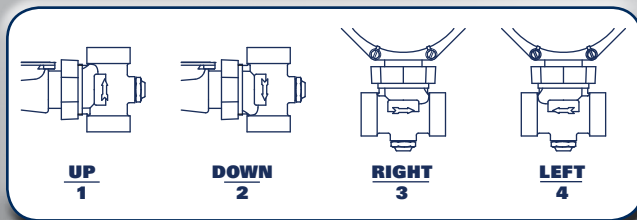
Max Inlet Pressure (PSIG)

| Orifice | Standard |
|---------|----------|
| 1/8 | 125 |
| 3/16 | 125 |
| 1/4 | 60 |
| 5/16 | 35 |
| 3/8 | 20 |
| 1/2 | 10 |

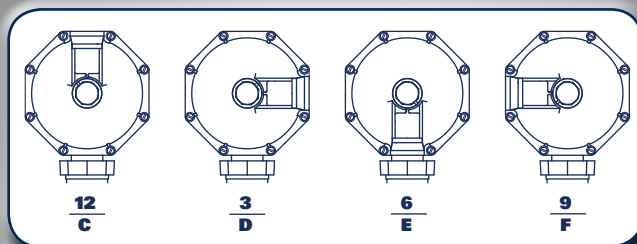
Specifications

| | P140 |
|----------------------------------|--|
| Inlet / Outlet | 3/4" x 3/4", 3/4" x 1", 1" x 1", 1-1/4" x 1-1/4" |
| Maximum allowable inlet pressure | See Chart |
| Temperature Range | -20 °F to 150 °F |
| Approximate Weight | 4 lb. 1.8 kg. |

P140 Body Positions



P140 Vent Positions

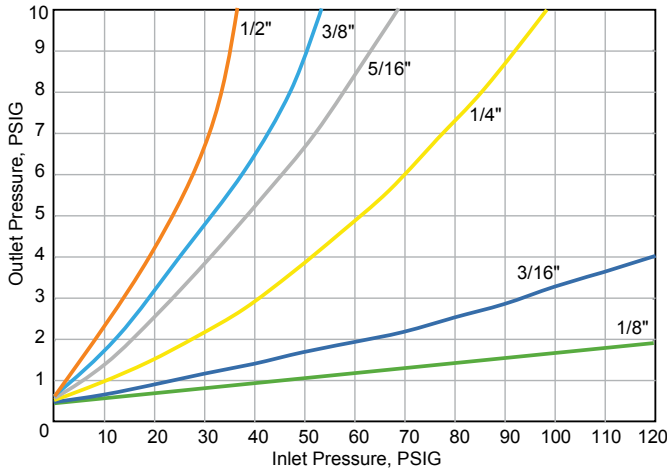


PF140 Flow Capacities in SCFH of 0.6 Specific Natural Gas

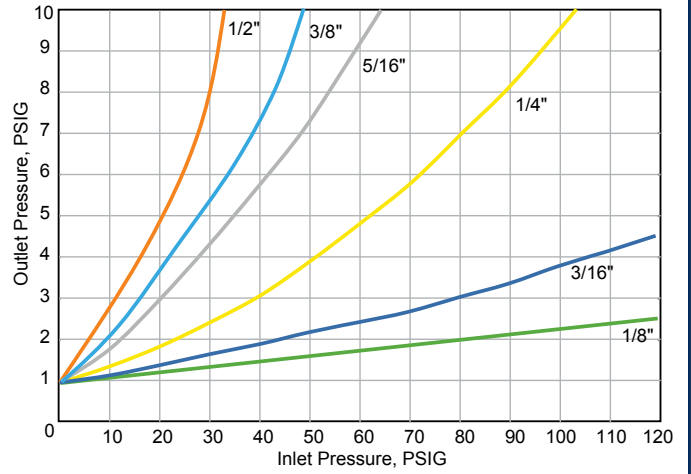
| Outlet Pressure, Spring Part No., Accuracy | NPT 3/4" Outlet Body Size | | | | | | | | NPT 1" Outlet Body Size | | | | | | NPT 1-1/4" Outlet Body Size | | | | | |
|---|---------------------------|------|---------|------|------|------|------|------|-------------------------|------|------|------|------|------|-----------------------------|------|------|------|------|------|
| | Inlet | | Orifice | | | | | | Orifice | | | | | | Orifice | | | | | |
| | | | | | | | | | | | | | | | | | | | | |
| 7" WC Set Pressure 655-791-001 Brown 1" WC Droop | 0.5 | 0.04 | 56 | 72 | 82 | 160 | 200 | 260 | 66 | 92 | 140 | 180 | 215 | 275 | 66 | 92 | 140 | 180 | 305 | 305 |
| | 1 | 0.07 | 61 | 87 | 180 | 250 | 280 | 365 | 82 | 145 | 210 | 280 | 305 | 410 | 82 | 145 | 310 | 325 | 330 | 450 |
| | 3 | 0.20 | 102 | 289 | 320 | 450 | 530 | 500 | 172 | 315 | 355 | 510 | 580 | 810 | 172 | 340 | 435 | 520 | 590 | 810 |
| | 5 | 0.30 | 208 | 375 | 450 | 602 | 715 | 806 | 218 | 405 | 510 | 730 | 830 | 1110 | 310 | 480 | 510 | 730 | 880 | 1110 |
| | 10 | 0.70 | 320 | 590 | 800 | 940 | 1090 | 1320 | 345 | 630 | 860 | 1110 | 1310 | 1555 | 350 | 710 | 860 | 1150 | 1520 | 1575 |
| | 15 | 1.00 | 380 | 750 | 1000 | 1320 | 1425 | | 428 | 855 | 1210 | 1555 | 1650 | | 525 | 980 | 1210 | 1565 | 1760 | |
| | 20 | 1.40 | 500 | 1046 | 1320 | 1510 | 1510 | | 550 | 1110 | 1450 | 1855 | 2010 | | 610 | 1250 | 1555 | 2070 | 2415 | |
| | 40 | 2.80 | 795 | 1600 | 1905 | | | | 845 | 1750 | 2210 | | | | 940 | 1755 | 2505 | | | |
| | 60 | 4.10 | 1000 | 2005 | 2110 | | | | 1155 | 2310 | 2505 | | | | 1270 | 2505 | 2505 | | | |
| 100 | 6.90 | 1700 | 2110 | | | | | 1805 | 2505 | | | | | 1910 | 2505 | | | | | |
| 14" WC Set Pressure 655-791-003 Silver 2" WC Droop | 2 | 0.14 | 75 | 200 | 270 | 390 | 400 | 555 | 70 | 220 | 305 | 435 | 460 | 830 | 140 | 210 | 330 | 395 | 460 | 830 |
| | 5 | 0.34 | 155 | 360 | 500 | 630 | 660 | 885 | 235 | 395 | 560 | 720 | 750 | 1230 | 235 | 395 | 560 | 720 | 750 | 1350 |
| | 10 | 0.69 | 350 | 550 | 750 | 965 | 1000 | 1230 | 375 | 610 | 825 | 1055 | 1140 | 1660 | 375 | 610 | 825 | 1120 | 1195 | 1720 |
| | 15 | 1.00 | 420 | 720 | 900 | 1255 | 1350 | | 460 | 810 | 1080 | 1350 | 1475 | | 375 | 810 | 1135 | 1375 | 1650 | |
| | 20 | 1.40 | 565 | 900 | 1250 | 1430 | 1575 | | 610 | 1020 | 1330 | 1640 | 1810 | | 630 | 1020 | 1395 | 1680 | 2025 | |
| | 30 | 2.10 | 745 | 1240 | 1550 | 1755 | | | 805 | 1350 | 1760 | 1955 | | | 815 | 1490 | 2075 | 2320 | | |
| | 60 | 4.10 | 1230 | 1955 | 2210 | | | | 1310 | 2255 | 2505 | | | | 1330 | 2750 | 3420 | | | |
| | 80 | 5.50 | 1555 | 2300 | | | | | 1905 | 2580 | | | | | 1960 | 3435 | | | | |
| | 100 | 6.90 | 1645 | 2500 | | | | | 2200 | 2710 | | | | | 1960 | 4020 | | | | |
| 125 | 8.60 | 2000 | 2700 | | | | | 2200 | 2905 | | | | | 2260 | 4320 | | | | | |
| 1 PSIG Set Pressure 655-791-003 Silver 1% Droop | 2 | 0.14 | 95 | 220 | 270 | 290 | 380 | 410 | 85 | 235 | 305 | 340 | 430 | 460 | 140 | 295 | 330 | 340 | 430 | 520 |
| | 5 | 0.34 | 200 | 345 | 440 | 590 | 630 | 720 | 235 | 395 | 500 | 660 | 715 | 800 | 280 | 400 | 520 | 665 | 715 | 800 |
| | 10 | 0.69 | 330 | 525 | 700 | 870 | 1000 | 1000 | 370 | 580 | 780 | 1025 | 1135 | 1150 | 370 | 590 | 780 | 1035 | 1150 | 1280 |
| | 15 | 1.00 | 420 | 735 | 950 | 1200 | 1300 | | 465 | 770 | 1055 | 1280 | 1420 | | 465 | 790 | 1075 | 1280 | 1435 | |
| | 20 | 1.40 | 520 | 900 | 1200 | 1400 | 1620 | | 580 | 990 | 1355 | 1560 | 1730 | | 580 | 1020 | 1370 | 1590 | 1730 | |
| | 30 | 2.10 | 700 | 1150 | 1640 | 1750 | | | 800 | 1340 | 1860 | 2020 | | | 800 | 1365 | 1890 | 2040 | | |
| | 60 | 4.10 | 1200 | 1920 | 2250 | | | | 1280 | 2410 | 2860 | | | | 1280 | 2580 | 2900 | | | |
| | 80 | 5.50 | 1550 | 2110 | | | | | 1705 | 2900 | | | | | 1720 | 3400 | | | | |
| | 100 | 6.90 | 1660 | 2150 | | | | | 1905 | 3155 | | | | | 1935 | 3420 | | | | |
| 125 | 8.60 | 1770 | 2160 | | | | | 2105 | 3310 | | | | | 2210 | 3620 | | | | | |
| 2 PSIG Set Pressure 655-791-004 Yellow/Black 1% Droop | 5 | 0.34 | 125 | 205 | 260 | 360 | 380 | 300 | 130 | 225 | 290 | 410 | 420 | 485 | 130 | 180 | 250 | 280 | 300 | 395 |
| | 10 | 0.69 | 210 | 340 | 440 | 690 | 690 | 850 | 235 | 375 | 490 | 735 | 760 | 850 | 260 | 420 | 585 | 755 | 775 | 870 |
| | 15 | 1.00 | 270 | 450 | 600 | 900 | 900 | | 310 | 505 | 655 | 1010 | 1010 | | 370 | 530 | 67 | 1060 | 1120 | |
| | 20 | 1.38 | 340 | 550 | 760 | 1080 | 1080 | | 375 | 610 | 850 | 1210 | 1210 | | 430 | 625 | 860 | 1290 | 1320 | |
| | 30 | 2.10 | 450 | 850 | 1100 | 1450 | | | 510 | 905 | 1240 | 1620 | | | 535 | 930 | 1250 | 1720 | | |
| | 60 | 4.10 | 880 | 1500 | 2040 | | | | 960 | 1620 | 2250 | | | | 960 | 1660 | 2300 | | | |
| | 80 | 5.52 | 1100 | 1910 | | | | | 1210 | 2010 | | | | | 1290 | 2110 | | | | |
| | 100 | 6.90 | 1430 | 1910 | | | | | 1600 | 2410 | | | | | 1720 | 2490 | | | | |
| | 125 | 8.60 | 1760 | 2115 | | | | | 2110 | 3320 | | | | | 2150 | 3420 | | | | |
| 5 PSIG Set Pressure 655-791-006 White 1% Droop | 10 | 0.69 | 125 | 155 | 200 | 275 | 290 | 580 | 120 | 155 | 225 | 245 | 305 | 335 | 180 | 250 | 310 | 375 | 450 | 660 |
| | 15 | 1.00 | 125 | 155 | 200 | 275 | 290 | | 135 | 170 | 230 | 290 | 335 | | 160 | 205 | 270 | 310 | 380 | |
| | 20 | 1.38 | 140 | 175 | 240 | 275 | 350 | | 165 | 200 | 270 | 315 | 390 | | 165 | 235 | 330 | 370 | 450 | |
| | 30 | 2.10 | 170 | 225 | 290 | 360 | | | 200 | 270 | 330 | 415 | | | 225 | 330 | 420 | 435 | | |
| | 60 | 4.10 | 180 | 350 | 500 | | | | 300 | 400 | 555 | | | | 355 | 455 | 600 | | | |
| | 80 | 5.52 | 300 | 420 | | | | | 370 | 490 | | | | | 490 | 640 | | | | |
| | 100 | 6.90 | 380 | 520 | | | | | 430 | 590 | | | | | 500 | 700 | | | | |
| 125 | 8.60 | 450 | 620 | | | | | 515 | 710 | | | | | 650 | 870 | | | | | |

P140 Performance Curves

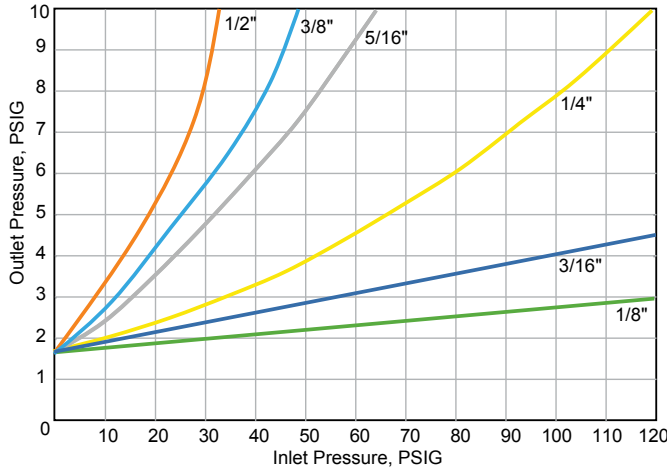
1" outlet, 1" vent port, 7" WC regulator set point



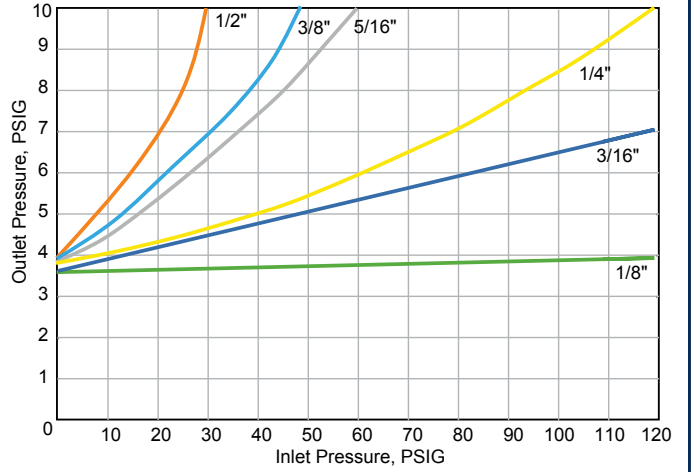
1" outlet, 1" vent port, 14" WC regulator set point



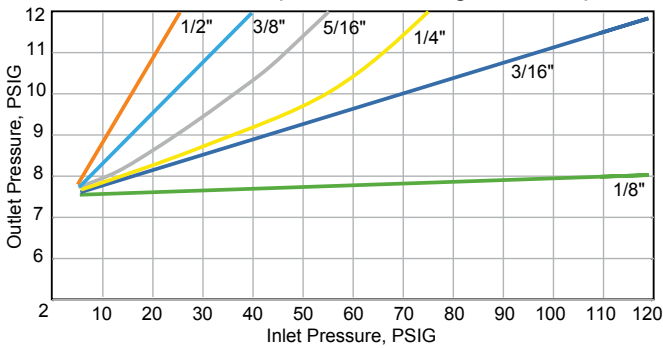
1" outlet, 1" vent port, 1 PSIG regulator set point



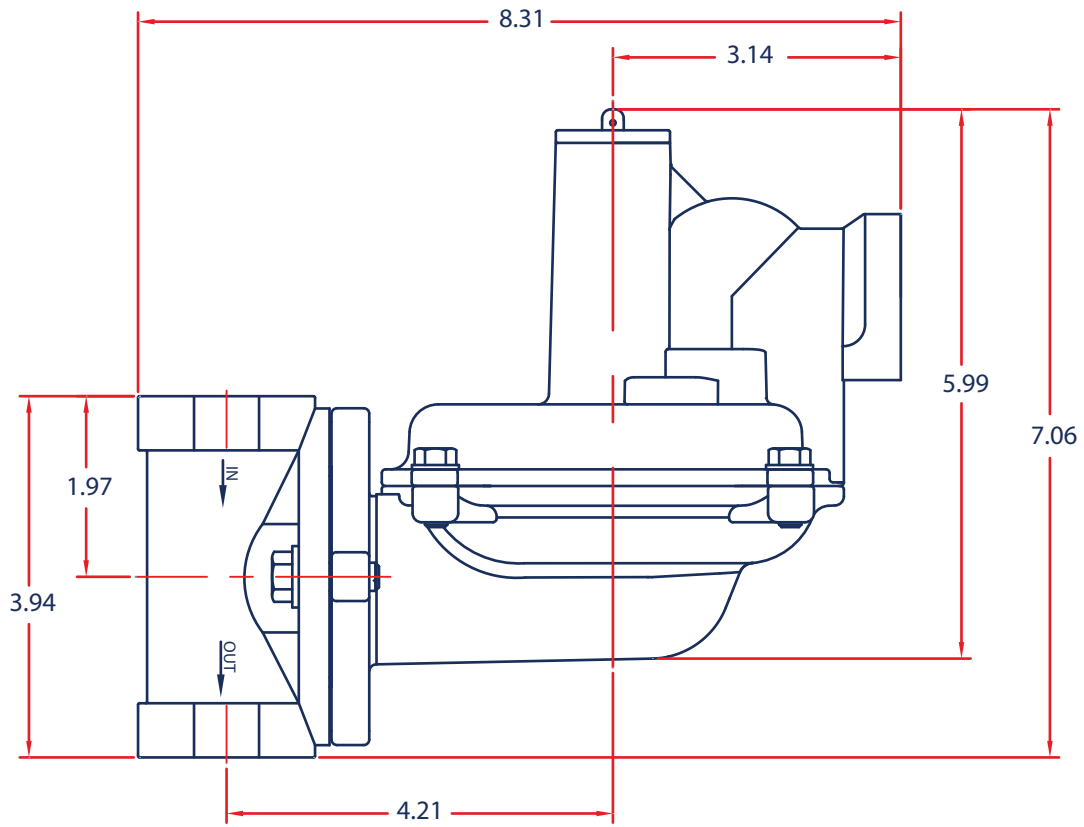
1" outlet, 1" vent port, 2 PSIG regulator set point



1" outlet, 1" vent port, 5 PSIG regulator set point



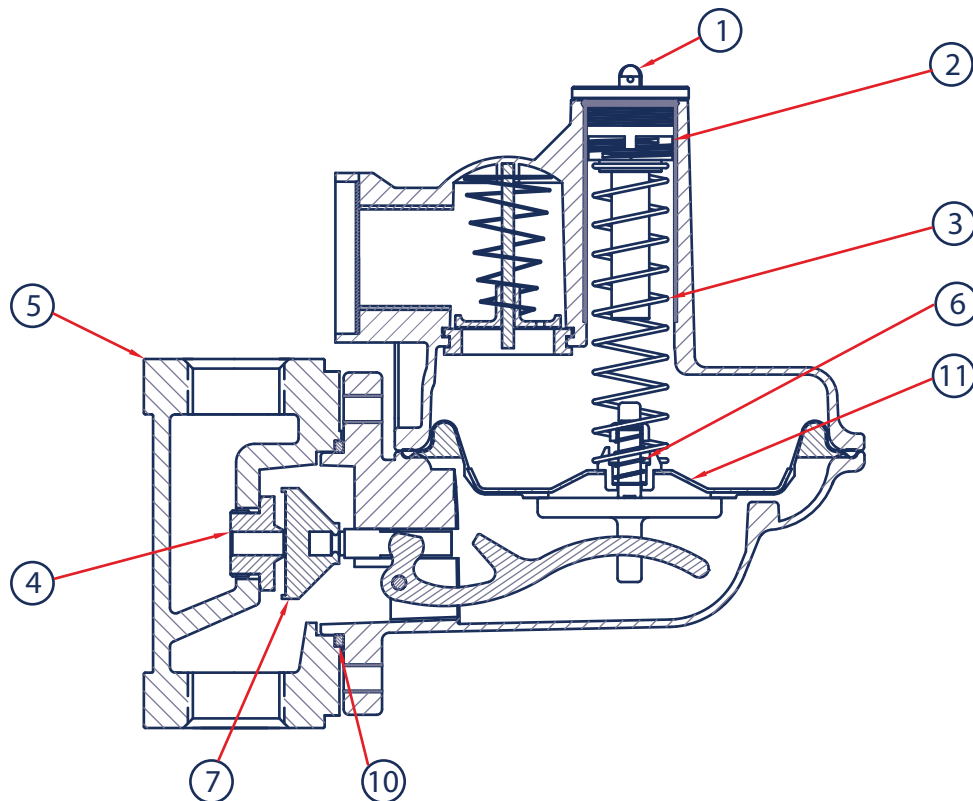
P140 Dimensions



P140 Standard Parts

| Item | Description | Qty. | Part Number |
|-----------------|------------------------------------|------|-------------|
| 1 | Bonnet Cap w/ gasket | 1 | 812-035-000 |
| 3 | Adjustment Screw - 5" to 2 PSIG | 1 | 648-581-000 |
| | Adjustment Screw - 2 to 5 PSIG | | 648-581-001 |
| 3 | Range Springs | 1 | |
| | 5"-7" WC, Green | | 655-791-000 |
| | 6"-8" WC, Brown | | 655-791-001 |
| | 8"-14" WC, Blue | | 655-791-002 |
| | 12"-28" WC, Silver | | 655-791-003 |
| | 1-2 PSIG, Yellow/Black | | 655-791-004 |
| | 2-4 PSIG, Yellow | | 655-791-005 |
| 4-5 PSIG, White | 655-791-006 | | |
| 4 | Aluminum Orifices | 1 | |
| | Orifice - 1/8" | | 688-076-000 |
| | Orifice - 3/16" | | 688-076-001 |
| | Orifice - 1/4" | | 688-076-002 |
| | Orifice - 5/16" | | 688-076-003 |
| | Orifice - 3/8" | | 688-076-004 |
| 5 | Cast Iron Bodies | 1 | |
| | Iron Body - 3/4" NPT straight | | 664-449-000 |
| | Iron Body - 3/4" NPT angle | | 664-450-000 |
| | Iron Body - 3/4" x 1" NPT straight | | 664-451-000 |
| | Iron Body - 3/4" x 1" NPT angle | | 664-452-000 |
| | Iron Body - 1" NPT straight | | 664-453-000 |
| | Iron Body - 1" NPT angle | | 664-454-000 |
| | Iron Body - 1 1/4" NPT straight | | 664-455-000 |
| | Iron Body - 1 1/4" NPT angle | | 664-456-000 |

| Item | Description | Qty. | Part Number |
|------|-----------------------------------|------|-------------|
| 6 | Relief Springs | 1 | |
| | 5" above set, Orange | | 655-792-000 |
| | 6" above set, Red | | 655-792-001 |
| | 7" above set, Purple | | 655-792-002 |
| 7 | 7" above set, Black | 1 | 655-792-003 |
| | Seat assembly - Nitrile | | 650-204-000 |
| | 8 Steel Build Bolt (Not Shown) | | 648-587-000 |
| 9 | Steel Body Bolt (Not Shown) | 2 | 648-587-001 |
| 10 | Body Gasket | 1 | 624-112-000 |
| 11 | Non-relieving Diaphragm Assembly | | 804-296-000 |
| | Relieving Diaphragm Assembly - 5" | 1 | 804-297-000 |
| | Relieving Diaphragm Assembly - 6" | 1 | 804-297-001 |
| | Relieving Diaphragm Assembly - 7" | 1 | 804-297-002 |
| | Relieving Diaphragm Assembly - 9" | 1 | 804-297-003 |

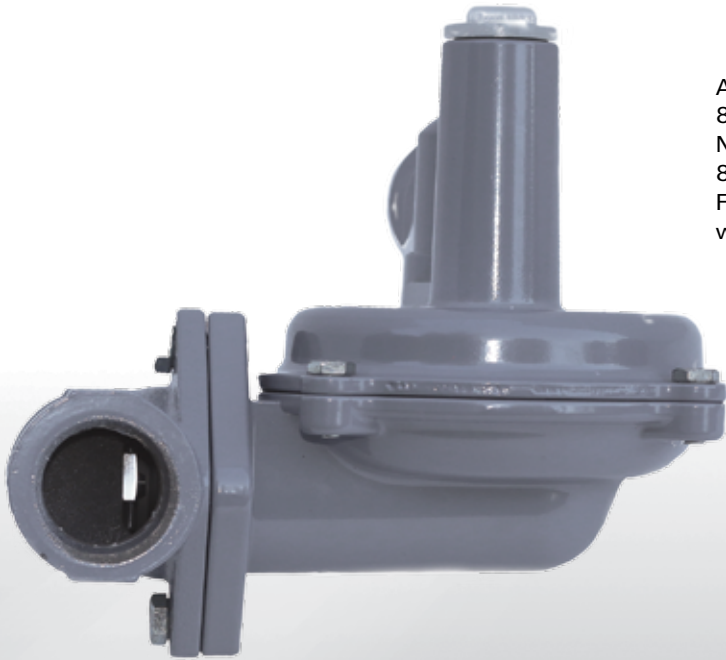




2109-C South Wright St.
Santa Ana, CA 92705

T: 1-888-651-1130 F: 1-888-250-8281
www.iflowinc.com

P140 Series



A Division of Marsh Bellofram
8019 Ohio River Boulevard
Newell, WV 26050
800-727-5646
FAX 304-387-1212
www.belgas.net